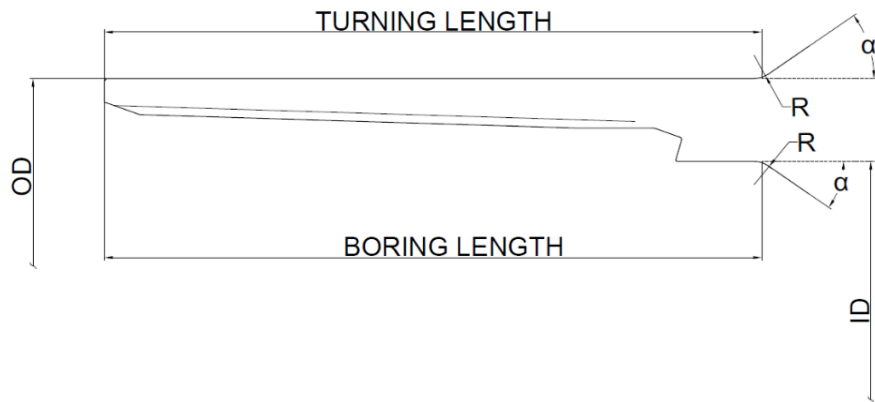


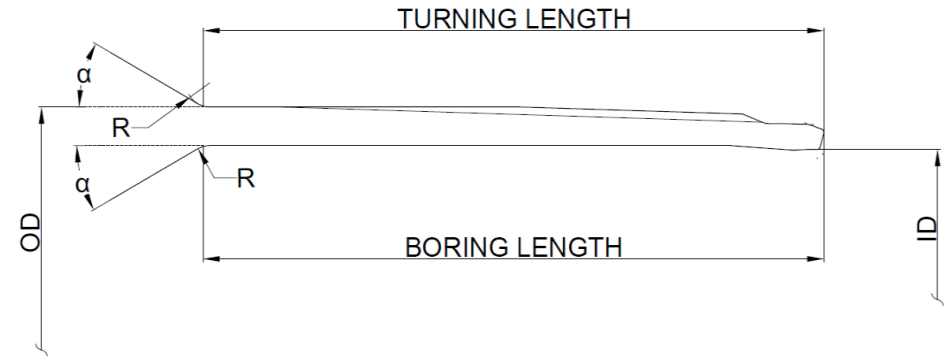
2 7/8 in 6.4 lb/ft

Clearance: Standard

Label	Pin/Box	OD [mm]	ID [mm]	Min. Turning Length [mm]	Min. Boring Length [mm]	OD [in]	ID [in]	Min. Turning Length [in]	Min. Boring Length [in]
2 7/8 in 6.4 lb/ft	BOX	83.50 ± 0.50	61.00 ± 0.20	75.00	75.00	3.287 ± 0.020	2.402 ± 0.008	2.953	2.953
	PIN	73.02 ± 0.79	61.50 ± 0.20	84.00	84.00	2.875 ± 0.031	2.421 ± 0.008	3.307	3.307



BOX



PIN

$R_{\min} = 20 \text{ mm} = 0.79 \text{ in}$

$\alpha_{\min} = 30^\circ$



www.sentinelconnections.com

PCBD-SENTINEL_Prime-2.875-6.4

Date of issue (dd/mm/yyyy): 31/10/2024